

## SOLENOID VALVES

4707 Massachusetts Ave. - P.O. Box 18128  
 Indianapolis, Indiana 46218-0128  
 Ph: 1-800-63 GOULD    Fx: (317) 547-5234  
 Web: <http://www.gouldvalve.com>  
 E-mail: [gouldvalve@gouldvalve.com](mailto:gouldvalve@gouldvalve.com)

**1/4"-1" NPT  
 TYPES  
 QD & KD**

2-WAY – PACKLESS DIRECT ACTING SOLENOID VALVES  
 NORMALLY CLOSED - FULL PORT

- ☆ TYPE QD: 1/8" - 1" NPT: BRONZE BODY WITH BUNA N SEAT
- ☆ TYPE KD: 1/8" - 1" NPT: STAINLESS STEEL BODY WITH <sup>®</sup> VITON OR TEFLON™ SEAT
- ☆ FOR: GENERAL SERVICE-AIR-INERT GASES-WATER-OIL-STEAM
- ☆ PRESSURES: 0 TO RATED MAXIMUM
- ☆ TEMPERATURE: -40°F. MIN TO 450°F MAX. FLUID
- ☆ MOUNTING: INSTALL IN HORIZONTAL LINE WITH COIL UPRIGHT AND ON TOP



### SIZES 1/8" - 3/8" NPT FULL PORT

☆ **SERVICE RATINGS**

Pricing, Service & Electrical Ratings shown in the List Price Schedule. Valves will be furnished for Water Service and 120 VAC Unless Otherwise Specified.

<b>TYPE QD</b>	GENERAL SERVICE: AIR-WATER-OIL-INERT GASES 0 to Maximum Pressure Differential 300°F. Max. Fluid Temp • Class F Coil 120, 240, 480 VAC 60 Hz, 26Watts Max	<b>Pipe Size (NPT)</b>	1/8-1/2	3/4	1		
		<b>Orifice Diameter</b>	.63"	.88"	1.00		
		<b>Maximum Pressure Differential</b>	<b>Gases</b>	7 psi	3 psi	2 psi	
			<b>Water</b>	6 psi	2 psi	1 psi	
		<b>Oil</b>	4 psi	1 psi	n/a		
<b>TYPE QD-1</b>	HIGH TEMPERATURE SERVICE: AIR-INERT GASES-STEAM-HOT LIQUIDS 0 to Maximum Pressure Differential 450°F. Max. Fluid Temp • Class H Coil 120, 240, 480 VAC 60 Hz, 20Watts Max	<b>Pipe Size (NPT)</b>	1/8-1/2	3/4	1		
		<b>Orifice Diameter</b>	.63"	.88"	1.00		
		<b>Maximum Pressure Differential</b>	<b>Gases</b>	7 psi	2 psi	1 psi	
			<b>Liquid</b>	4 psi	1 psi	1 psi	
		<b>Steam</b>	7 psi	2 psi	1 psi		
<b>TYPE KD</b>	GENERAL SERVICE: AIR-WATER-OIL-INERT GASES 0 to Maximum Pressure Differential 300°F. Max. Fluid Temp • Class F Coil 120, 240, 480 VAC 60 Hz, 26Watts Max	<b>Pipe Size (NPT)</b>	1/8-	1/2	3/4	1	
		<b>Orifice Diameter</b>	.63"	.50"	.75"	1.00	
		<b>Maximum Pressure Differential</b>	<b>Gases</b>	6 psi	6 psi	3 psi	2 psi
			<b>Water</b>	6 psi	6 psi	2 psi	1 psi
		<b>Oil</b>	4 psi	4 psi	1 psi	n/a	
<b>TYPE KD-1</b>	HIGH TEMPERATURE SERVICE: AIR-INERT GASES-STEAM-HOT LIQUIDS 0 to Maximum Pressure Differential 450°F. Max. Fluid Temp • Class H Coil 120, 240, 480 VAC 60 Hz, 20Watts Max	<b>Pipe Size (NPT)</b>	1/8-	1/2	3/4	1	
		<b>Orifice Diameter</b>	.63"	.50"	.75"	1.00	
		<b>Maximum Pressure Differential</b>	<b>Gases</b>	7 psi	4 psi	2 psi	1 psi
			<b>Liquid</b>	4 psi	4 psi	2 psi	1 psi
		<b>Steam</b>	7 psi	4 psi	2 psi	1 psi	
<b>ADD -2</b>	EXPLOSION PROOF COIL HOUSING – NEMA 7, ALSO MEETS NEMA 4 WATERTIGHT AND NEMA 5 DUSTIGHT						
<b>-24, -25</b>	SEE -2 ABOVE						
<b>ADD -57</b>	MANUAL RESET - SAFETY SHUT-OFF, NO VOLTAGE RELEASE.						
<b>ADD -SW</b>	PIPE CONNECTION: -SW SOCKET WELD (KD)						

☆ **CONSTRUCTION:**

CLASS F & H COILS are Waterproof, Fungusproof, Molded of Filled Polyester with 18" Leads.  
 BODIES are rated minimum 400 psi. BONNET ASSEMBLIES are Stainless Steel TUBES silver soldered or welded to BONNET and TUBE PLUG.  
 430FR SS ARMATURE is connected to the Stainless Steel VALVE HEAD with a Stainless Steel POST.

**TERMS AND CONDITIONS OF SALE:** See the List Price Schedule.

™Teflon is a DuPont Company trademark. <sup>®</sup>Viton is a registered trademark of DuPont Dow Elastomers.

# PERFORMANCE, ORDERING AND INSTALLATION GUIDE

**ORDERING DATA**--SPECIFY PIPE SIZE, TYPE, FLUID, OPERATING PRESSURE, TEMPERATURE RANGE, ELECTRICAL SPECIFICATIONS, BACK PRESSURE (IF ANY).

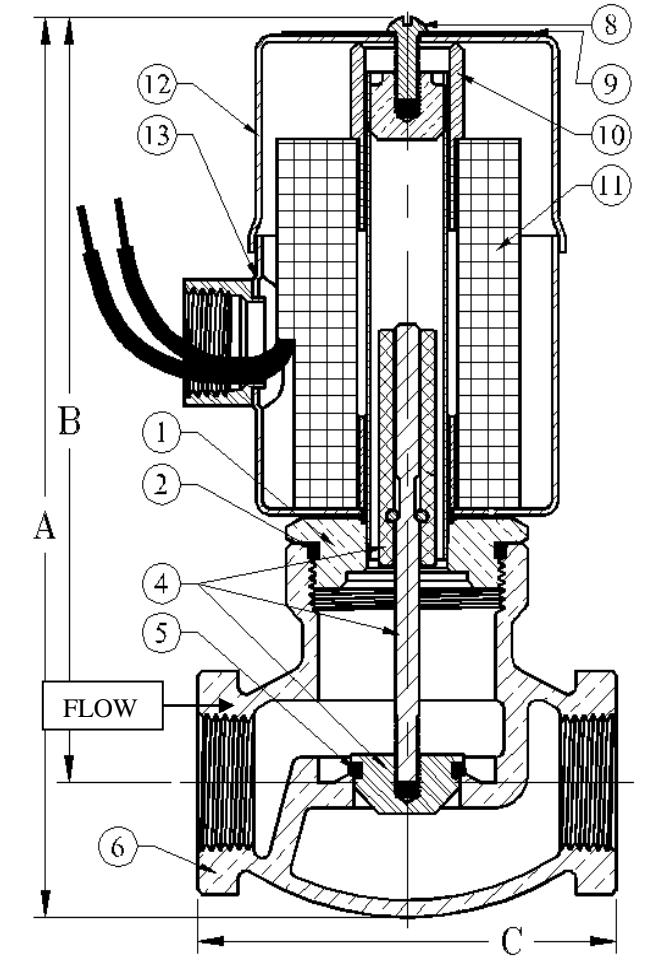
**FLOW CHARACTERISTICS**--SEE FLOW CURVES IN BULLETIN 5-FL, OR Cv FACTORS LISTED BELOW AND IN BULLETIN CP-1.

**OPERATION**—DIRECT ACTING FOR OPERATION FROM 0 TO RATED PRESSURE.

**MOUNTING**--MOUNT IN HORIZONTAL LINE WITH COIL VERTICAL AND ON TOP. CHECK FOR PROPER COIL VOLTAGE. MAKE SURE THAT THE FLOW ARROW ON VALVE BODY IS POINTING IN THE DIRECTION OF FLOW.

**SERVICING**--SOLENOID VALVES SHOULD BE FREQUENTLY CHECKED FOR OPERATION, CLEANLINESS, & INTERNAL WEAR - REPAIR KITS ARE FACTORY AVAILABLE --GIVE SIZE, TYPE, SERIAL NUMBER OR OPERATING DATA (VOLTAGE, PRESSURE, ETC.)

#	Part Description	NEMA Rating	TYPES QD, QD-2,			TYPES KD, KD-2			
			1/8"- 1/2"	3/4"	1"	1/8"- 3/8"	1/2"	3/4"	1"
1	Std. Bonnet Assembly	1	403-2	413-2	423-2	190	190	197	204
	XP Bonnet Assembly	4, 5, 7	4032XP	4132XP	4232XP	190XP	190XP	197XP	204XP
2	Bonnet Seal	ALL	2-121	2-125	n/a	n/a	n/a	n/a	n/a
	Bonnet Ring	ALL	n/a	n/a	428	192	192	199	206
4	Lift Assembly	1	669	675	677	669	676	674	677
5	Head O-Ring	ALL	2-112	2-115	21-1	2-112	2-110	2-114	2-211
6	Body	ALL	400-x	410	420	850-x	186	193	200
8	Coil Screw	ALL	9	9	9	9	9	9	9
9	Nameplate	1	44-1-1	44-1-1	44-1-1	44-1-1	44-1-1	44-1-1	44-1-1
	XP Nameplate	4, 5, 7	44-3	44-3	44-3	44-3	44-3	44-3	44-3
10	Top Nip	1	115-2	115-2	115-2	115-2	115-2	115-2	115-2
	XP End Plate	4, 5, 7	113	113	113	113	113	113	113
11	Coil	ALL	Consult Factory Or List Price Schedule						
12	Coil Cover	1	89	89	89	89	89	89	89
	XP Coil Cover	4, 5, 7	42NC	42NC	42NC	42NC	42NC	42NC	42NC
	Bolts	4, 5, 7	9-4	9-4	9-4	9-4	9-4	9-4	9-4
	Washers	4, 5, 7	46-3	46-3	46-3	46-3	46-3	46-3	46-3
13	Coil Housing	1	87	87	87	87	87	87	87
	XP Coil Housing	4, 5, 7	41A	41A	41A	41A	412A	41A	41A
	Cv	ALL	1.3-2.1	5.1	11.6	1.1-2.1	3.2	7.5	9.9



3/4" Type QD

TYPE	QD			KD				QD-2			KD-2			
Dimension	1/8"- 1/2"	3/4"	1"	1/8"- 3/8"	1/2"	3/4"	1"	1/8"- 1/2"	3/4"	1"	1/8"- 3/8"	1/2"	3/4"	1"
A	6.31 in	6.69	7.0	6.03	6.75	7.02	7.44	7.0	7.38	7.63	6.56	7.30	7.56	8.00
B	5.50 in	5.7	5.83	2.63	3.13	3.75	4.16	6.19	6.38	6.44	2.63	3.13	3.75	4.16
C	2.75 in	3.25	3.81	5.34	5.88	5.88	6.19	2.75	3.25	3.81	5.88	6.44	6.44	6.75
Weight	3 lbs	4 lbs	5 lbs	3 lbs	4 lbs	4 lbs	5 lbs	7 lbs	8 lbs	9 lbs	7 lbs	7 lbs	8 lbs	9 lbs