

SOLENOID VALVES

4707 Massachusetts Ave. - P.O. Box 18128
 Indianapolis, Indiana 46218-0128
 Ph: 1-800-63 GOULD Fx: (317) 547-5234
 Web: <http://www.gouldvalve.com>
 E-mail: sales@gouldvalve.com

1/8" • 1/4" • 3/8" NPT
TYPES F & G
SERIES

2-WAY • PACKLESS • DIRECT ACTING
 GENERAL PURPOSE SOLENOID VALVES
 NORMALLY CLOSED OR NORMALLY OPEN • FRACTIONAL PORT

- ★ SIZES: 1/8", 1/4", 3/8" NPT • FRACTIONAL ORIFICE
- ★ TYPE F: BRASS BODY
- ★ TYPE G: 303 STAINLESS STEEL BODY
- ★ FOR: GENERAL SERVICE-AIR-INERT GASES-WATER-OIL-STEAM
- ★ PRESSURES: 0 TO RATED MAXIMUM
- ★ TEMPERATURE: -40°F. MIN TO 450°F MAX. FLUID
- ★ MOUNTING: INSTALL IN HORIZONTAL LINE WITH COIL UPRIGHT AND ON TOP



SIZES 1/8" - 3/8" NPT FRACTIONAL PORT										
★ SERVICE RATINGS	Pricing, Service & Electrical Ratings shown in the List Price Schedule.									
	Valves will be furnished for 150 psi Air & Water Service and 120 VAC Unless Otherwise Specified.									
GENERAL SERVICE: AIR-WATER-OIL-INERT GAS 0 to Maximum Operating Pressure Differential 300°F. Max. Fluid Temperature Class F Coil 12, 24, 55, 120, 240, 480 VAC 50/60 Hz 12, 24, 32, 115, 230 VDC	MAXIMUM OPERATING PRESSURE DIFFERENTIAL									
	TYPE		ORIFICE	1/4"	7/32"	3/16"	5/32"	1/8"	3/32"	1/16"
	NORMALLY CLOSED	F G 14 WATTS	AIR-GAS	40	50	120	175	300	550	800
			WATER	30	45	60	90	140	250	500
			OIL	15	24	32	45	75	130	230
	Norm Open	FST GST 26 WATTS	AIR-GAS	130	180	250	360	600	1000	1000
			WATER	30	50	80	110	180	320	600
			OIL	20	30	40	70	110	200	500
	Norm Open	FR GR 14 WATTS	AIR-GAS	20	40	60	90	150	270	300
			WATER	15	25	30	45	70	125	250
OIL			6	10	16	23	35	60	115	
HIGH TEMP. SERVICE: AIR-INERT GASES-STEAM- HOT LIQUIDS 0 to Maximum Operating Pressure Differential 450°F. Max. Fluid Temperature Class H Coil 120, 240, 480 VAC 50/60 Hz,	MAXIMUM OPERATING PRESSURE DIFFERENTIAL									
	TYPE		ORIFICE	1/4"	7/32"	3/16"	5/32"	1/8"	3/32"	1/16"
	Norm Closed	F-1 G-1 20 WATTS	AIR-GAS	40	80	120	175	300	550	800
			WATER	30	45	60	90	140	250	500
			OIL	15	24	32	45	75	130	230
			STEAM	40	80	120	200	200	200	200
	Norm Open	FR-1 GR-1 20 WATTS	AIR-GAS	20	40	60	90	150	270	300
			WATER	15	25	30	45	70	125	150
			OIL	6	10	16	23	35	60	150
			STEAM	20	40	60	90	150	200	200
ADD -2	EXPLOSION PROOF COIL HOUSING - NEMA 7									
ADD -3B, -3EP, -3T, -3V	LEAKPROOF PILOT SEAT: -3B (BUNA), -3EP ETHYLENE- PROPYLENE, -3T (TEFLON®) PTFE, -3V (VITON®) FLUOROCARBON									
ADD -24	WATER TIGHT COIL HOUSING - NEMA 4 & NEMA 7									
ADD -25	DUST TIGHT COIL HOUSING - NEMA 5 & NEMA 7									
ADD -57	MANUAL RESET, SAFETY SHUT-OFF, NO VOLTAGE RELEASE.									

★ **CONSTRUCTION:** CLASS F & H COILS are Waterproof, Fungusproof, Molded of Filled Polyester with 18" Leads. 303 Stainless Steel PLUNGER TUBE is Silver Soldered or Welded into the 90° Angled, Brass, or 303 Stainless Steel BODY, providing side inlet and bottom outlet. PILOT ASSEMBLY is a 416 SS ARMATURE connected to the 303 SS POINT, that provides direct opening and closing of the valve. All COIL HOUSINGS have 1/2" threaded conduit connections.

- ★ **SPECIALS:** Teflon® Coated Pilot & other Special Assemblies Available. Non-Standard Coils are Available with Voltage, Wattage, and Lead Wire Length to your specifications. Consult Factory.
- ★ **TERMS AND CONDITIONS OF SALE:** See the List Price Schedule

PERFORMANCE, ORDERING AND INSTALLATION GUIDE

ORDERING DATA--SPECIFY PIPE SIZE, TYPE, FLUID, OPERATING PRESSURE, TEMPERATURE RANGE, ELECTRICAL SPECIFICATIONS, BACK PRESSURE (IF ANY).

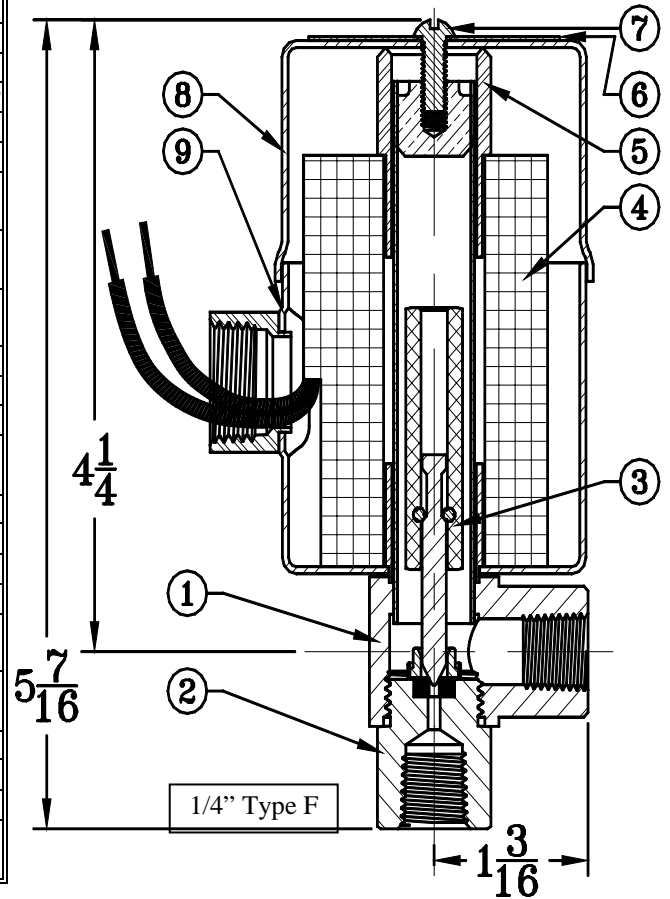
FLOW CHARACTERISTICS--SEE FLOW CURVES IN BULLETIN 5-FL, OR Cv FACTORS LISTED BELOW AND IN BULLETIN CP-1.

OPERATION—DIRECT ACTING FOR OPERATION FROM 0 TO RATED PRESSURE.

MOUNTING--MOUNT IN HORIZONTAL LINE WITH COIL VERTICAL AND ON TOP. INSTALL 40 MESH STRAINER (NOT LARGER) AHEAD OF VALVE. CHECK FOR PROPER COIL VOLTAGE. MAKE SURE THAT THE FLOW INLET IS ON THE SIDE AND THE OUTLET IS DOWN.

SERVICING--SOLENOID VALVES SHOULD BE FREQUENTLY CHECKED FOR OPERATION, CLEANLINESS, & INTERNAL WEAR - REPAIR KITS ARE FACTORY AVAILABLE --GIVE SIZE, TYPE, SERIAL NUMBER OR OPERATING DATA (VOLTAGE, PRESSURE, ETC.)

#	Part Description	NEMA Rating	TYPES F, -2,-24,-25			TYPES G, -2,-24,-25		
			1/8"	1/4"	3/8"	1/8"	1/4"	3/8"
1	Body	1	P1801F	P1802F	P1803F	P1801G	P1802G	P1803G
	XP Body	4, 5, 7	P1801FXP	P1802FXP	P1803FXP	P1801GXP	P1802GXP	P1803GXP
	N.O. Body	1	P1801FR	P1802FR	P1803FR	P1801GR	P1802GR	P180GR
	N.O. XP Body	4, 5, 7	P1801FRXP	P1802FRXP	P1803FRXP	P1801GRXP	P1802GRXP	P1803GRXP
2	Body Nut	ALL	1811Fx	1812Fx	1813Fx	1811Gx	1812Gx	1813Gx
3	Pilot Assembly	1	P21-1	P21-1	P21-1	P21-1	P21-1	P21-1
	XP Pilot Assembly	4, 5, 7	P25-1	P25-1	P25-1	P25-1	P25-1	P25-1
	N.O. Pilot Assembly	1	P32R1	P32R1	P32R1	P32R1	P32R1	P32R1
	N.O. XP Pilot Assembly	4, 5, 7	P32R1	P32R1	P32R1	P32R1	P32R1	P32R1
4	Coil	ALL	Consult Factory Or List Price Schedule					
5	Top Nip	1	115-2	115-2	115-2	115-2	115-2	115-2
	XP End Plate	4, 5, 7	113	113	113	113	113	113
	N.O. Top Nip	1	115-3	115-3	115-3	115-3	115-3	115-3
6	Nameplate	ALL	44-1x	44-1x	44-1x	44-1x	44-1x	44-1x
7	Screw	ALL	9	9	9	9	9	9
8	Coil Cover	1	89	89	89	89	89	89
	XP Coil Cover	4, 5, 7	42NC	42NC	42NC	42NC	42NC	42NC
	N.O. Coil Cover	1	89NO	89NO	89NO	89NO	89NO	89NO
	N.O. XP Coil Cover	4, 5, 7	42NO	42NO	42NO	42NO	42NO	42NO
	Bolts	4, 5, 7	9-4	9-4	9-4	9-4	9-4	9-4
	Washers	4, 5, 7	46-3	46-3	46-3	46-3	46-3	46-3
9	Coil Housing	1	87	87	87	87	87	87
	XP Coil Housing	4, 5, 7	41A	41A	41A	41A	41A	41A



Physical Dimensions

Orifice	3/64"	1/16"	5/64"	3/32"	7/64"	1/8"	5/32"	3/16"	7/32"	1/4"
Cv	0.05	0.08	0.12	0.18	0.26	0.30	.50	.70	1.00	1.20

Shipping Weight for all NEMA 1 Type F & G Valves is 3 lbs

Shipping Weight for all NEMA 4, 5, & 7 Type F & G (-2) Valves is 7 lbs

For Height Values of NEMA 4, 5, & 7 Valves Add 0.69"

For Height Values of Normally Open Valves Add 1.00"

For Height Values of Normally Open, NEMA 4, 5, & 7 Valves Add 1.75"